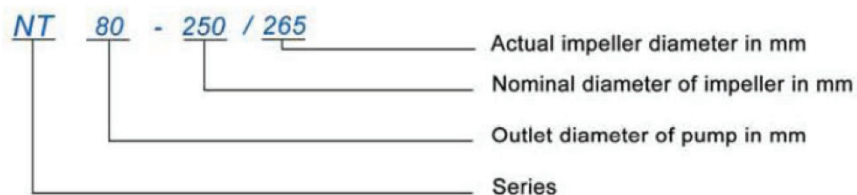


Series NT

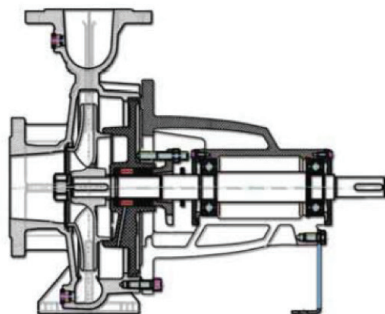
Axial Inlet Fire Pump

The pump is a rugged and reliable design with a history of successful service in installations all over the world.

- Single volute
- Axial inlet
- Designed to NFPA20
- UL Listed 15254
- Available with electric motor or as a diesel driven unit
- Complies with UL 448



Construction Materials:



Casing	GG 25	GGG 40
Impeller	Bronze	
Shaft	AISI 316	
Seal	Soft Packing	

Performance Data

Rated Flow up to 500 gpm

Pressure up to 128 psi

Temperature up to 105 deg C

Shaft Sealing Soft Packing